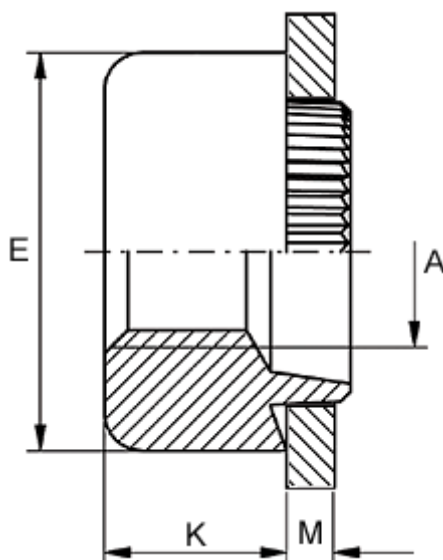


Article number: 12704000050120

Description: KLEE-coil 704 000 050.120  
M5 Unhardened, zinc-pl. & chr. yellow

## Measures



Female thread A	= M5
Height K	= 3.0
Outer diameter E	= 11.0
Plate thickness	= 0.9 to 1.0
Recommended bore diameter for extreme load	= 8.0
Recommended bore diameter for normal use	= 8.0